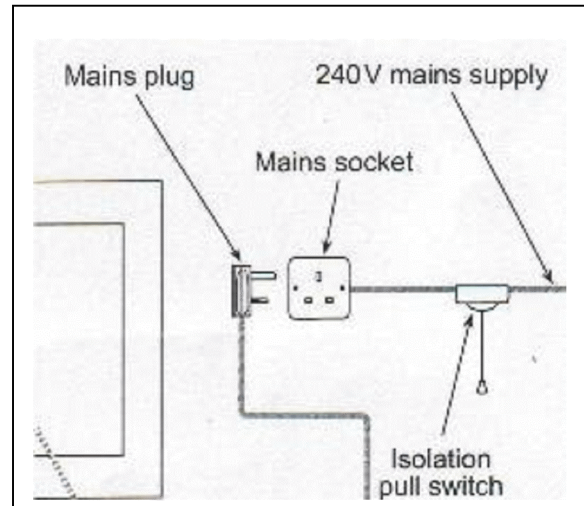


1.0 Installation Guide

Please note: All electrical installation should be carried out by a fully qualified Electrician and all fire and safety regulations should be obeyed.

The TV requires a 13amp socket outlet connected to a 240V mains supply via a readily accessible isolation switch mounted in close proximity to the unit. Both the socket and pull switch must conform to the latest safety specification and be protected via an RCCD device or similar. This socket must be fitted in a dry area away from any moisture.

The cabling and adaptor plug supplied with this TV must not be cut, shortened, lengthened, etc. as this could potentially damage the unit.



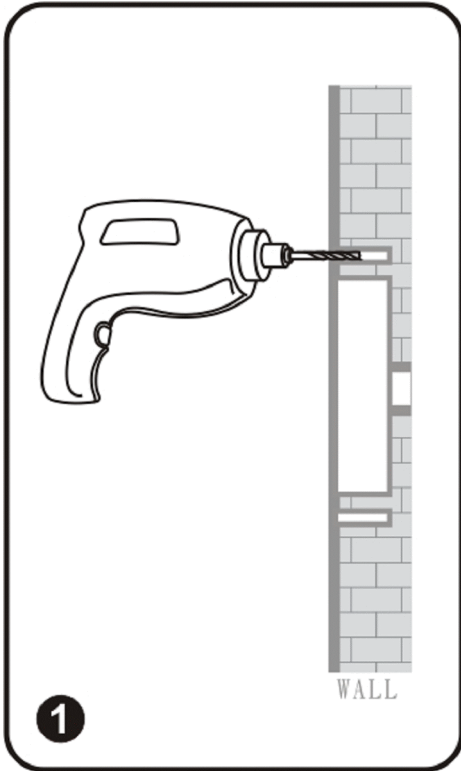
Before commencing installation it is recommended to familiarize yourself with the TV unit, speakers and all supplied cables. Plan out where the unit is to be installed, where the speakers will go and where the unit will eventually be plugged in.

Before commencing any work, connect up the unit to the speakers and check that the TV functions correctly.

Digital TV Aerial:

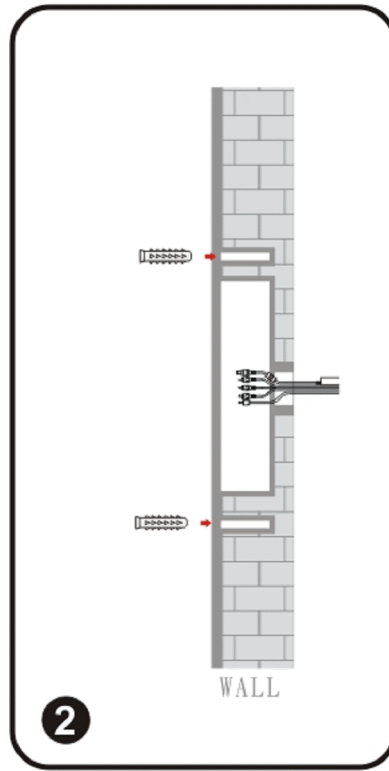
Take a 75Ω feed from your present television aerial or distribution system and connect this to the COAX connection at the back of the unit. The signal level fed to the set must be at least 65dB/1millivolt or the picture may be noisy. A TV Distribution Amplifier may be required if you are in an area of weak signal or if other televisions are already being fed from the same aerial. Please note this is a digital TV that requires a digital aerial. **If in doubt, consult a qualified aerial technician.**

1.1 Installation Guide



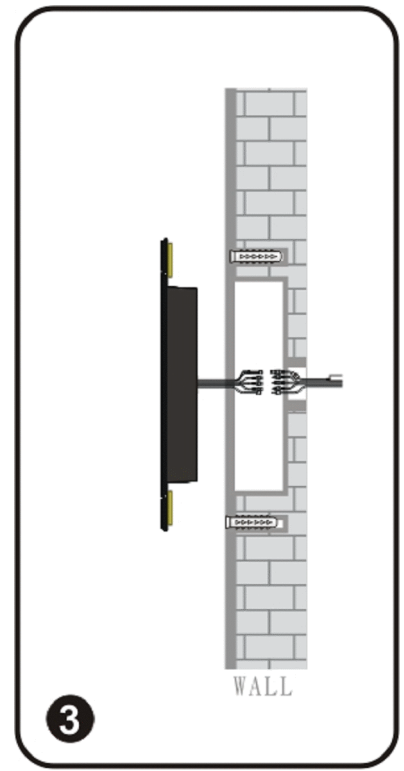
STEP 1

Cut out recess for the TV and drill pilot holes for fixing screws.



STEP 2

Plug the screw holes and feed the required leads to the back box.

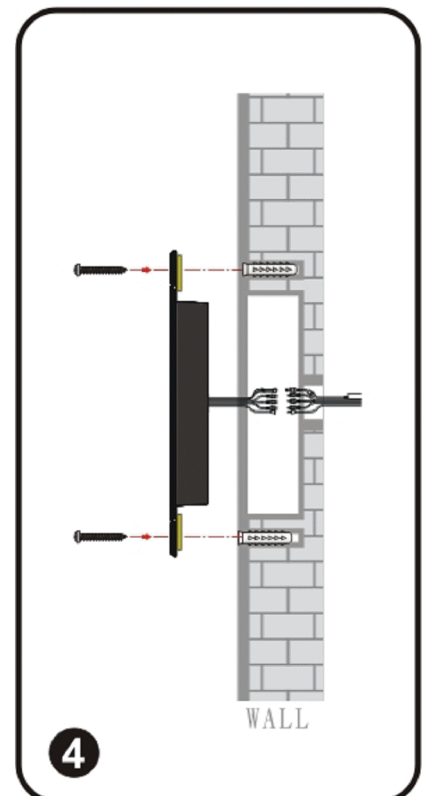


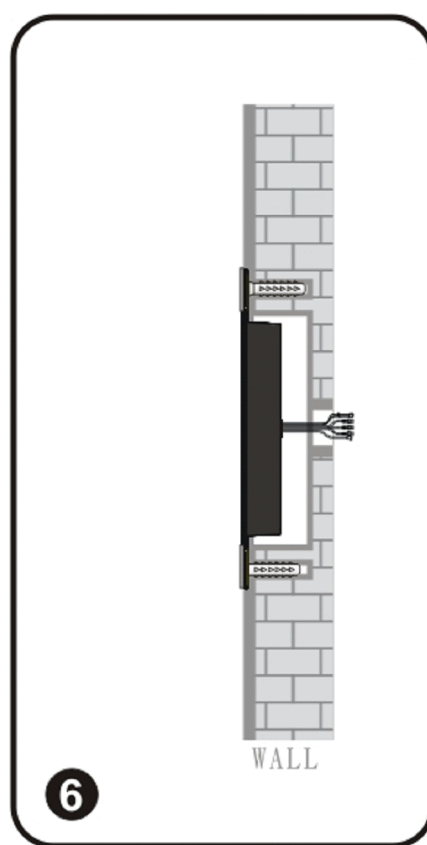
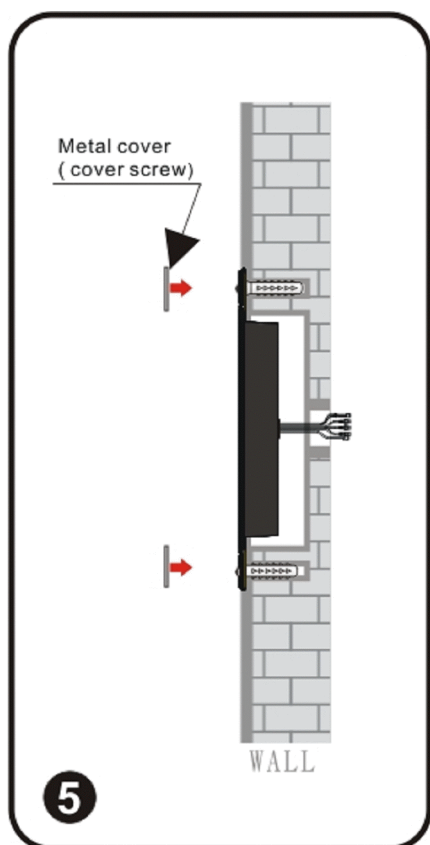
STEP 3

Connect up the leads from the back of the unit.

STEP 4

Screw the unit into place.

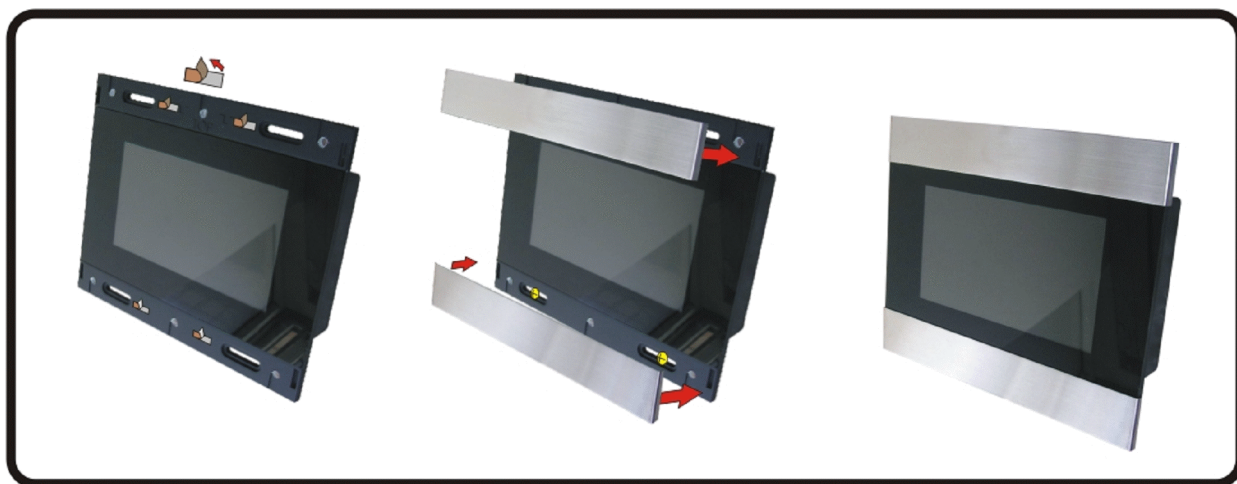




STEP 5

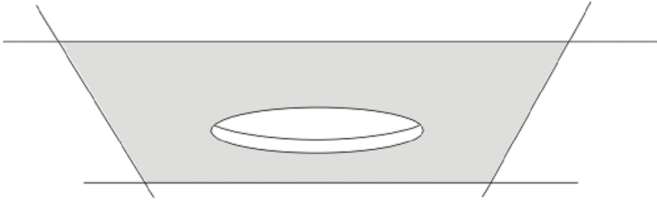
Fix the decorative screw hole covers (See figure 5 and figure 6)

*** When complete, peel the sticky tape and fix the metal plates!**

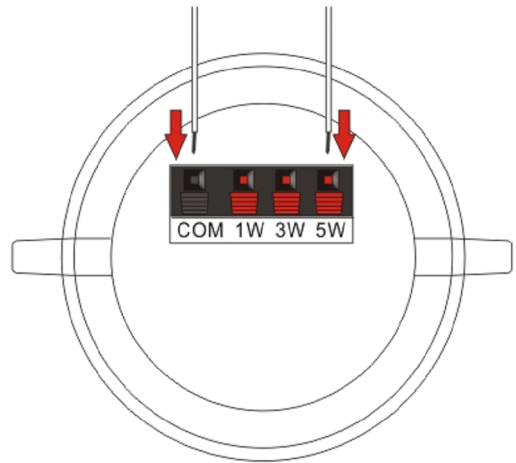


The unit comes with vesa fixing holes in the back, so can easily be mounted using a bracket if required.

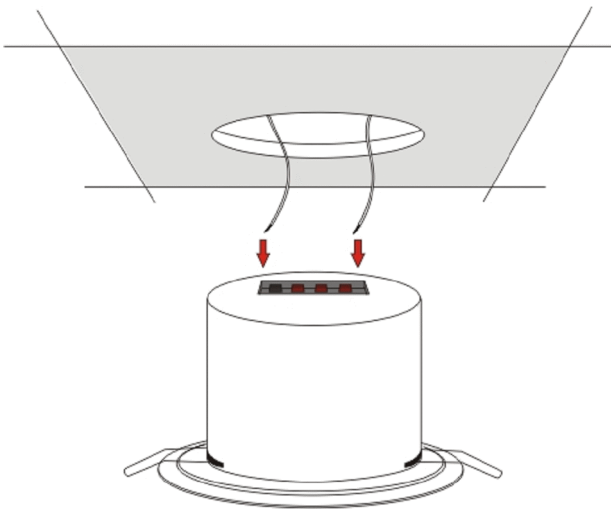
1.2 Speaker Installation Guide



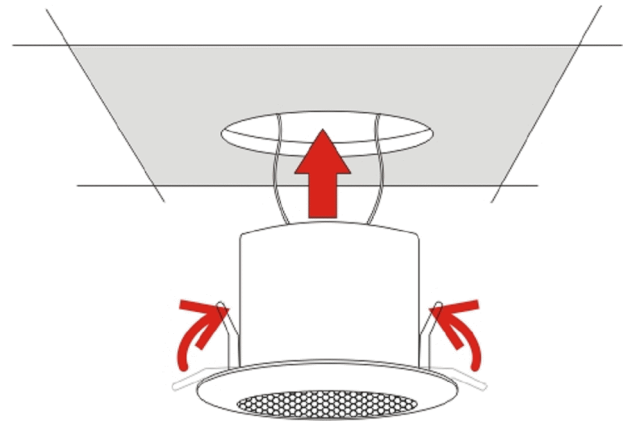
(1) Cut out a recess for the speaker of 95mm.



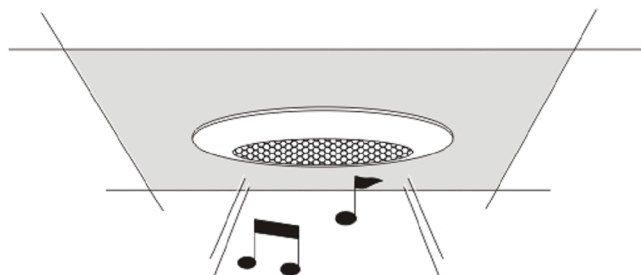
(2) Check cables are correctly connected. COM & 5W



(3) Feed Cables from TV.



(4) Push back wire clips and slide speaker into place.



(5) Finished.